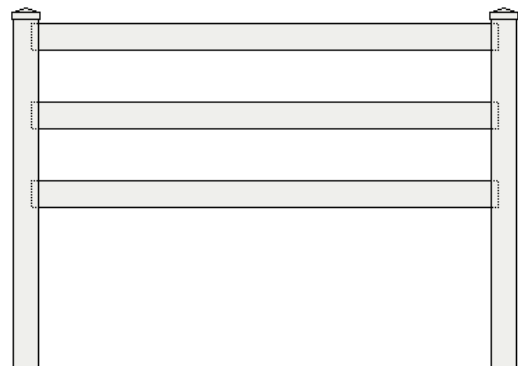
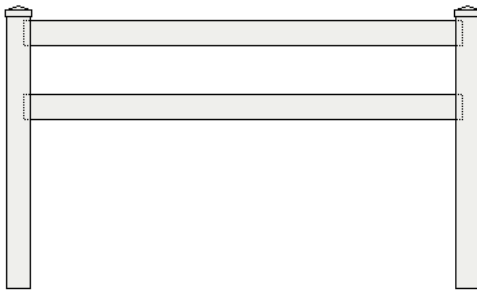




**US VINYL FENCE**  
— Fence, Deck and Rail —

# **RANCH RAIL FENCE**

INSTALLATION INSTRUCTIONS



## WHAT YOU'LL NEED TO INSTALL

- POWER AUGER OR POST HOLE DIGGER(CLAMSHELLS)
- SHOVEL
- DIGGING BAR (OPTIONAL)
- BRIGHT COLORED SPRAY PAINT
- STRING LINE STAKES AND LEVEL
- CORDLESS OR POWER DRILL WITH DRILL AND SCREW BITS
- TAPE MEASURE
- SAFETY GLASSES AND WORK GLOVES
- CHOP SAW OR CIRCULAR SAW TO CUT RAILS (IF APPLICABLE)
- TABLESAW OR CIRCULAR SAW TO CUT PICKETS (TABLE SAW RECOMMENDED)
- PVC ADHESIVE
- RAG AND CLEANER



## HELPFULL HINTS

- TO ENSURE PROPER POST SPACING, MAKE A JIG MEASURING 92" LONG FROM A WOOD 2 X 4.
- SET ALL CORNER, END AND GATE POSTS FIRST FOR PROPER ALIGNMENT. THIS ALSO ALLOWS YOU TO GET THE HEIGHT ON ALL POSTS PRECISE, BY RUNNING A STRING LINE FROM POST TOP TO POST TOP.

**FOLLOW THESE IMPORTANT STEPS BEFORE YOU START:**

- Locate property lines... You can find these by locating a pin placed in the curb in the front of your house or by a stake buried in the ground or by a T post placed in the back. If you can't find any of these then try and locate a plot map. Otherwise you will have to hire a surveyor to locate your property lines.
- Check your local city codes regarding fence locations in the front of the house some cities may restrict you to a 3' or 4' height limit also check for overall fence heights in your city. A permit may be required for fences that exceed 6' in height.
- If you live in an HOA make sure to have your fence color and height approved before installing. This will save you money and possibly delays.

Contact Blue Stakes for location of utilities and pipelines. "It's The Law"

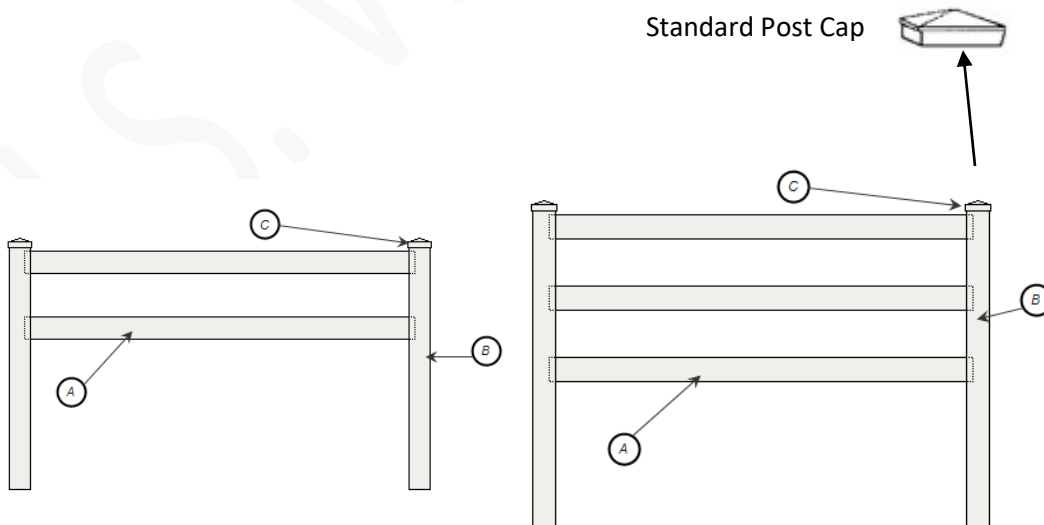
CALL 811 OR 1-800-662-4111

**Ranch Rail Panel**

**PARTS LIST**

Each 3', 4' & 5' HIGH RANCH RAIL PANEL INCLUDES:

- A. 1 1/2" x 5 1/2" Ribbed Rails (2) (3) or (4) Depending on style
- B. 5" x 5" Post
- C. 5" x 5" Standard Cap



**PREPARE FENCE LAYOUT**

PLEASE READ THIS INSTRUCTION SHEET COMPLETELY BEFORE BEGINNING WORK. LAYING OUT THE FENCE IS AN IMPORTANT FIRST STEP TOWARD A QUALITY INSTALLATION.

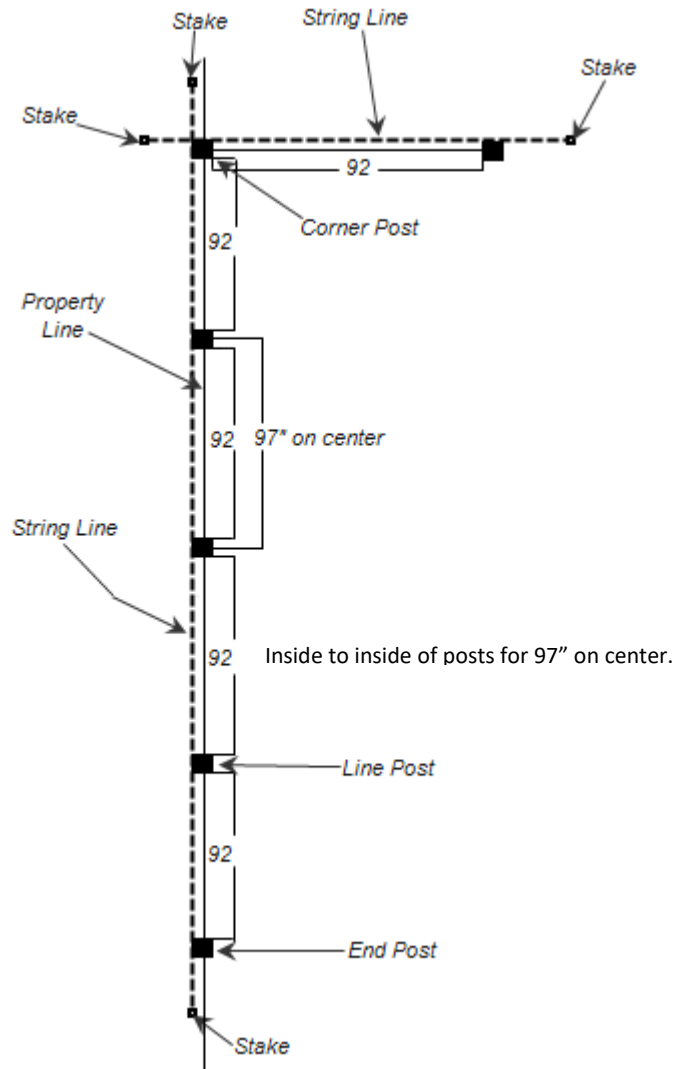
**STEP 1**  
Locate your property lines

**STEP 2**  
Drive stakes into the ground just beyond where the posts are being placed and off center of the property line. Stretch a string from stake to stake.

*TIP: Run string line 6"- 8" above the ground for less interference.*

**STEP 3**  
Mark the location of each post hole. Locations should be 97" on center for 8' sections.

*TIP: Use spray paint to mark hole locations.*



**NOTE: If you don't have neighbors' approval to split the fence on the property line, run the string line on the property line. This will save you time and money.**

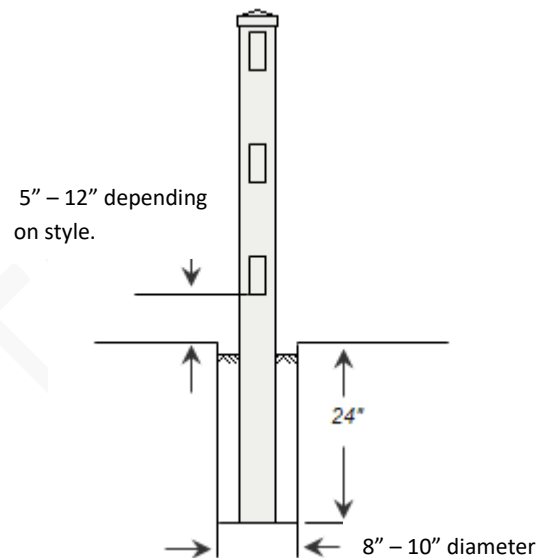
## SETTING THE POSTS

### STEP 1

Dig holes approximately 8" - 10" in diameter and 24" deep.

### STEP 2

Place the post in the center of the hole and square it up with the fence line. Check the post on two adjacent sides with a level or use a post level to check for plumb. You will adjust for the height of the fence at this time. It is recommended that you set the post between 5" - 12" from the bottom of the bottom rail to the ground depending on style



### STEP 3

Pour concrete around posts and fill up to 2" below ground level. If using mixed concrete make sure it's only slightly wet this will allow for a faster set up and less chance of the post leaning due to wind. If using dry concrete dump a 1/3 of the bag in the hole and mix with some water repeat this step until filled. Follow these steps until all posts are set and are ready for panel installation.

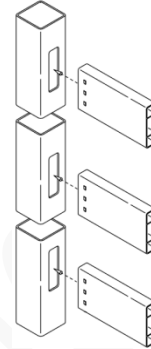
***NOTE: Let the posts set up for at least 4 - 7 days to ensure proper hardening of concrete.***

***TIP: An extra person will make setting posts not only easier but faster as well.***

**RAIL ASSEMBLY - STEP 1**

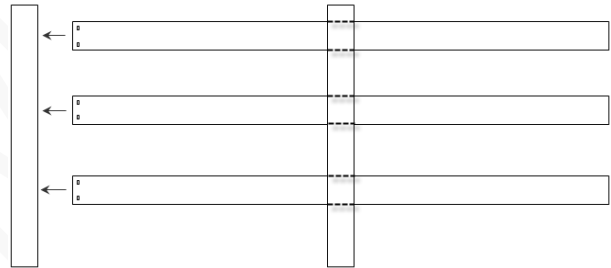
Slide the 16' rails into a midline post and out the other side towards the next post.

**NOTE:** *The rails come pre-notched. If you cut them you can rent a notching tool or use screws to secure the rail.*



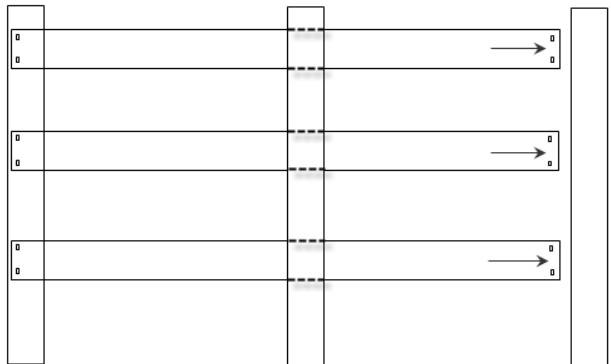
**RAIL ASSEMBLY - STEP 2**

Slide the rails into the post. The notches on the rail will lock the rails into the post. If you have to cut the rails make sure to cut the same amount off of each end and cut them 3" longer than your post to allow for proper inset.



**RAIL ASSEMBLY - STEP 3**

REPEAT STEP 2. If you have sections that are only half sections just cut the rails and follow steps 2 and 3.



A diagram on HOW TO secure rails with screws is on page 6.

## POST CAPS

Apply a small amount of PVC glue to the inner rim of the cap and place onto the post. Make sure the cap is firmly in place.

*TIP: Place only one or two dots of glue this is sufficient for holding the cap on and will allow removal if needed.*



## CLEANING

During installation your fence will collect some vinyl residue and dirt due to static electricity and basic installation procedures. In most cases you can spray this off with a hose. However for more stubborn marks you can use some Simple Green cleaner with a non-abrasive Scotch Brite pad. This is also the best thing to use for cleaning your fence in the future.

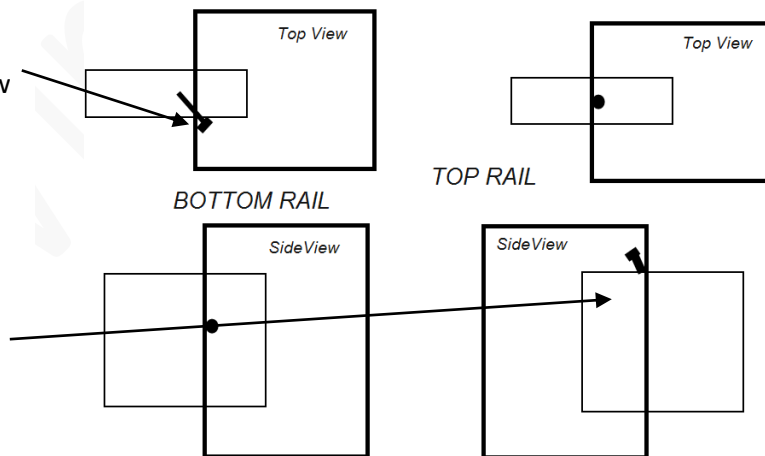
## SECURING RAILS WITH SCREWS

### STEP 1

To secure bottom rail screw a screw into the wall of the rail at an angle towards the long end of the rail. This will act as a notch and will securely hold the rail in place.

### STEP 2

To secure the top rail just screw a screw into the top rail next to the post at an angle. This will securely hold the rail in place and will make removal easier if necessary.



For more information contact:

**US VINYL FENCE**  
— Fence, Deck and Rail —

801-262-6428

1333 W 9000 S, West Jordan, UT 84088

E-mail: [sales@usvinylfence.com](mailto:sales@usvinylfence.com) \* [www.usvinylfence.com](http://www.usvinylfence.com)